



Residential Centrifugal Motor Pump



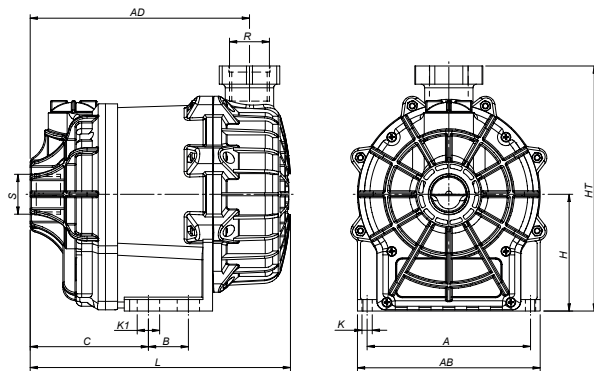
CENTRIFUGAL PUMP:

- High resistant HPP material
- Ideal for outside and seashore applications
- Compact and lightweight
- 2-year warranty

A New Generation of Centrifugal Pumps

APPLICATION:

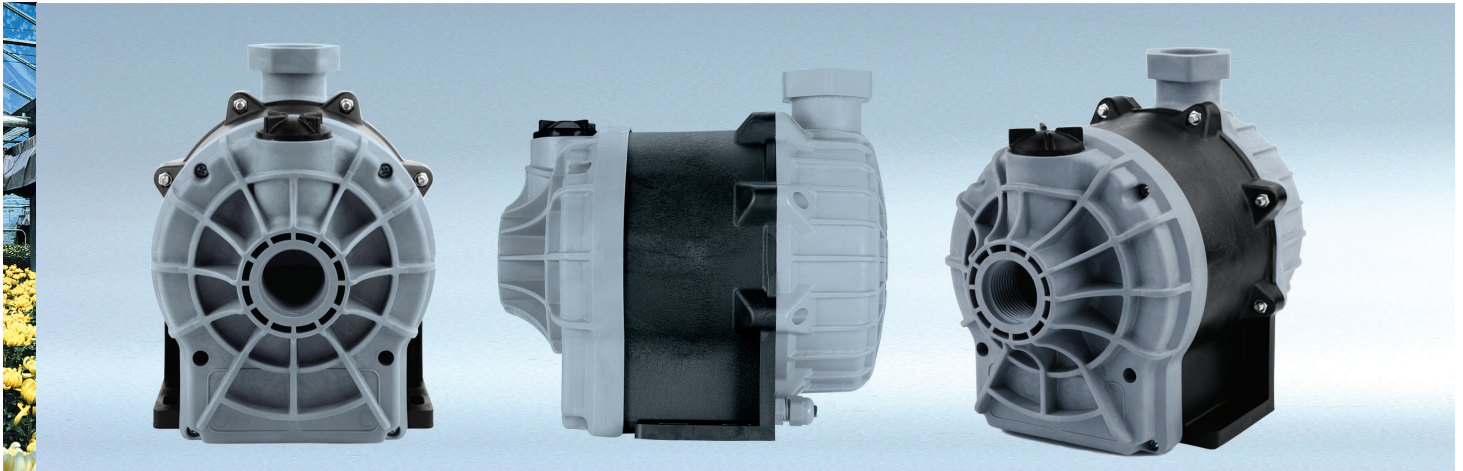
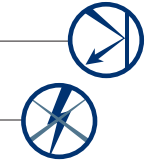
- Clean water circulation, irrigation, decoration purposes, etc.



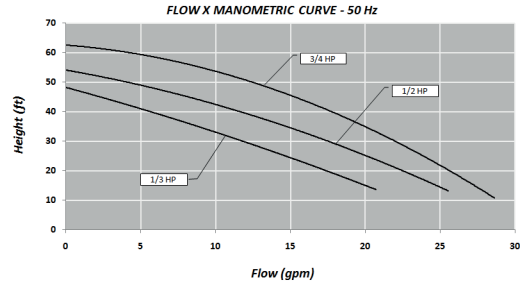
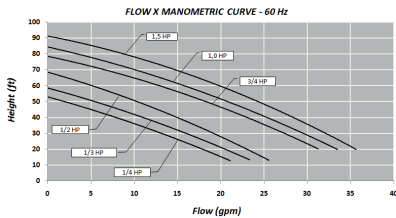
TECHNICAL SPECIFICATIONS AND DIMENSIONAL FEATURES																	
MODEL - 60 Hz		POWER		PIPELINE	MAIN DIMENSIONS (in)										Weight (lbs)		
120V	220V	(HP)	(kW)	Suction/Discharge	A	AB	AD	B	C	H	HT	K	K1	L		R*	S*
MB63E0004AS	MB63E0001AS	1/4	0,18	1" Gas	5,31	5,94	7,01	1,30	3,64	3,80	7,99	0,33	0,73	8,27	1" Gas	1" Gas	9,7
MB63E0005AS	MB63E0002AS	1/3	0,25	1" Gas	5,31	5,94	7,01	1,30	3,64	3,80	7,99	0,33	0,73	8,27	1" Gas	1" Gas	10,1
MB63E0006AS	MB63E0003AS	1/2	0,37	1" Gas	5,31	5,94	7,01	1,30	3,64	3,80	7,99	0,33	0,73	8,27	1" Gas	1" Gas	10,8
MB71E0005AS	MB71E0002AS	3/4	0,55	1" Gas	5,31	5,94	8,66	2,17	4,25	3,80	7,99	0,33	1,10	10,00	1" Gas	1" Gas	14,8
MB71E0006AS	MB71E0003AS	1,0	0,75	1" Gas	5,31	5,94	8,66	2,17	4,25	3,80	7,99	0,33	1,10	10,00	1" Gas	1" Gas	16,1
MB71E0007AS	MB71E0004AS	1,5	1,12	1" Gas	5,31	5,94	8,66	2,17	4,25	3,80	7,99	0,33	1,10	10,00	1" Gas	1" Gas	18,1
MODEL 50Hz - 220/230V																	
MB63E0007AS		1/3	0,25	1" Gas	5,31	5,94	7,01	1,30	3,64	3,80	7,99	0,33	0,73	8,27	1" Gas	1" Gas	10,8
MB71E0008AS		1/2	0,37	1" Gas	5,31	5,94	8,66	2,17	4,25	3,80	7,99	0,33	1,10	10,00	1" Gas	1" Gas	13,4
MB71E0009AS		3/4	0,55	1" Gas	5,31	5,94	8,66	2,17	4,25	3,80	7,99	0,33	1,10	10,00	1" Gas	1" Gas	14,8

TECHNICAL FEATURES

- One speed centrifugal motor pump
- Single phase motor with permanent capacitor – single voltage (120V or 220V) – 60Hz and (220V or 230V) – 50Hz
- Shielded with IP68 protection grade – totally protected against dust and water-resistant (as specified by the manufacturer)
- Electrically insulated and non-corrodible (water does not contact electricity and metallic components)
- Priming sensor: it turns the motor pump off automatically in case of lack of water, rotor blocking or overheating. In these cases, in order to restart the operation, it is necessary to disconnect the motor pump from the power supply (manual reset)
- Thermally protected: the motor pump is equipped with bi-metallic thermostat, internally in the frame and coil. Turns motor pump off automatically in case of overheating of the water (50°C) or coil (130°C). In these occurrences, in order to restart the operation, it is necessary to disconnect the motor pump from the power supply (manual reset)
- Rotor / turbine / conjugated hydro-magnetic bearings
- Resin capsulated wound stator
- No need of external ventilation – heat exchange with water



- No roller bearings and dynamic sealing of the mechanical seal type
- Electric cord with internal ground cable
- Water operation temperature: 5°C to 45°C
- Ambient temperature (place where the motor pump is installed): 5°C to 45°C
- Maximum pressure of suction: 11,4 psi (8mca=0,8kgf/cm²)



TECHNICAL SPECIFICATIONS AND HYDRAULIC FEATURES																		
MODEL - 60 Hz		POWER		PRESSURE	PIPELINE	Total Manometric Height (ft)												
120V	220V	(HP)	(kW)	max.(ft)	Suction/Discharge	13,1	19,7	26,2	32,8	39,4	45,9	52,5	59,1	65,6	72,2	78,7	85,3	91,9
MB63E0004AS	MB63E0001AS	1/4	0,18	54,1	1" Gas	21,1	18,1	15,0	11,4	8,4	4,8	0,0	*	*	*	*	*	*
MB63E0005AS	MB63E0002AS	1/3	0,25	58,4	1" Gas	23,3	20,7	17,6	14,5	11,4	7,5	4,0	0,0	*	*	*	*	*
MB63E0006AS	MB63E0003AS	1/2	0,37	68,2	1" Gas	25,5	22,9	20,7	18,1	15,0	12,3	8,8	5,7	0,0	*	*	*	*
MB71E0005AS	MB71E0002AS	3/4	0,55	78,7	1" Gas	*	31,3	29,1	26,4	23,3	20,3	16,7	13,6	9,7	4,8	0,0	*	*
MB71E0006AS	MB71E0003AS	1,0	0,75	85,0	1" Gas	*	33,5	31,3	28,2	25,5	22,9	19,8	16,3	12,8	8,4	4,0	0,0	*
MB71E0007AS	MB71E0004AS	1,5	1,12	91,2	1" Gas	*	35,7	33,5	31,3	28,6	26,0	23,3	20,3	16,7	13,6	9,7	4,8	0,0
MODEL - 50 Hz - 220V																		
	MB63E0007AS	1/3	0,25	47,6	1" Gas	20,7	18,1	14,1	9,7	5,7	2,6	0,0	*	*	*	*	*	*
	MB71E0008AS	1/2	0,37	54,1	1" Gas	25,5	22,9	19,4	15,9	12,3	7,5	1,8	0,0	*	*	*	*	*
	MB71E0009AS	3/4	0,55	62,0	1" Gas	28,6	25,1	22,5	21,1	18,1	15,4	11,4	5,3	0,0	*	*	*	*

*Valid at sea level (20°C), 0 suction (ft), and load losses not included.

ELECTRIC FEATURES						
MODEL - 60 Hz	VOLTAGE (V)	POWER (HP)	CURRENT average (A)	CONSUMPTION average (W)	POWER FACTOR average (cos φ)	
MB63E0004AS	120	1/4	0,18	4,6	523	0,97
MB63E0005AS	120	1/3	0,25	5,5	577	0,99
MB63E0006AS	120	1/2	0,37	6,5	689	0,99
MB71E0005AS	120	3/4	0,55	8,4	939	0,99
MB71E0006AS	120	1,0	0,75	8,7	1029	0,99
MB71E0007AS	120	1,5	1,12	9,3	1190	0,99

ELECTRIC FEATURES						
MODEL - 60 Hz	VOLTAGE (V)	POWER (HP)	CURRENT average (A)	CONSUMPTION average (W)	POWER FACTOR average (cos φ)	
MB63E0001AS	220	1/4	0,18	2,4	523	0,99
MB63E0002AS	220	1/3	0,25	3,0	577	0,99
MB63E0003AS	220	1/2	0,37	3,5	689	0,99
MB71E0002AS	220	3/4	0,55	4,3	939	0,99
MB71E0003AS	220	1,0	0,75	4,6	1029	0,99
MB71E0004AS	220	1,5	1,12	5,2	1190	0,97
MODEL - 50Hz - 220/230V						
MB63E0007AS	220	1/3	0,25	2,6	504	0,99
MB71E0008AS	220	1/2	0,37	3,3	663	0,99
MB71E0009AS	220	3/4	0,55	3,5	759	0,97